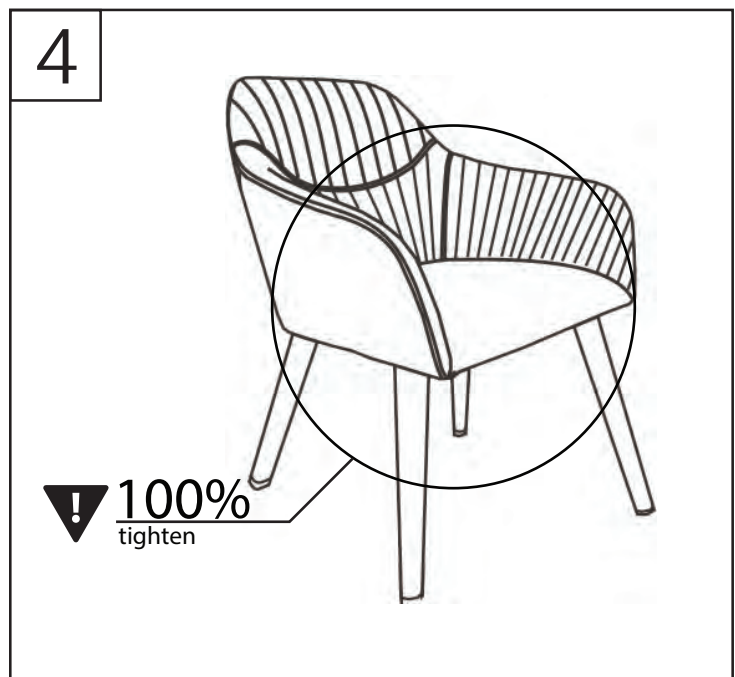
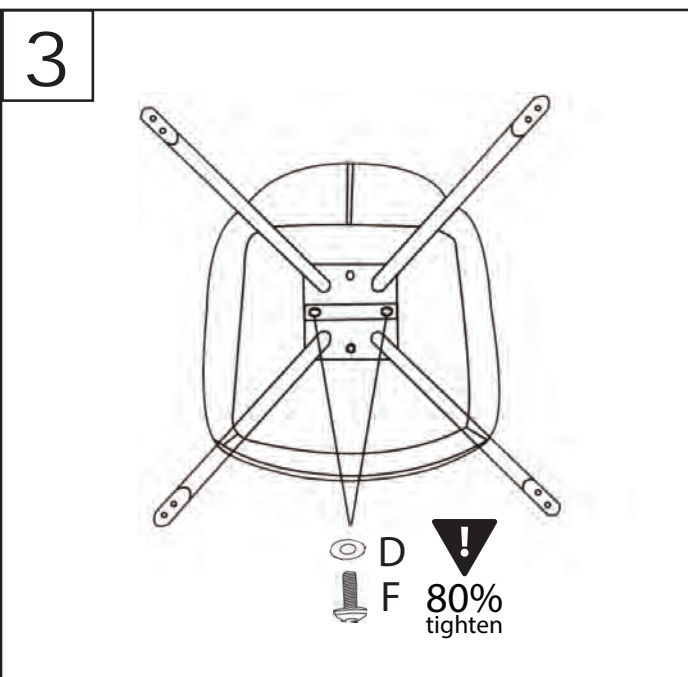
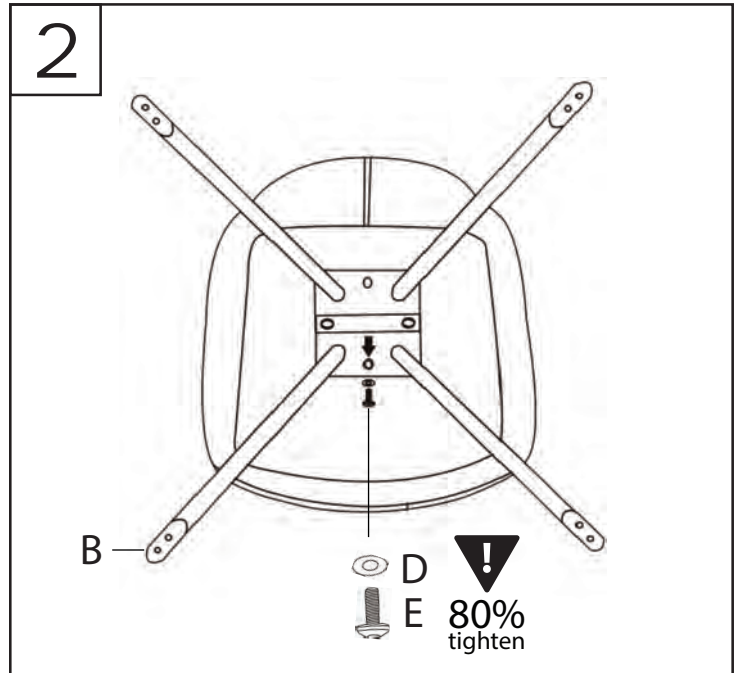
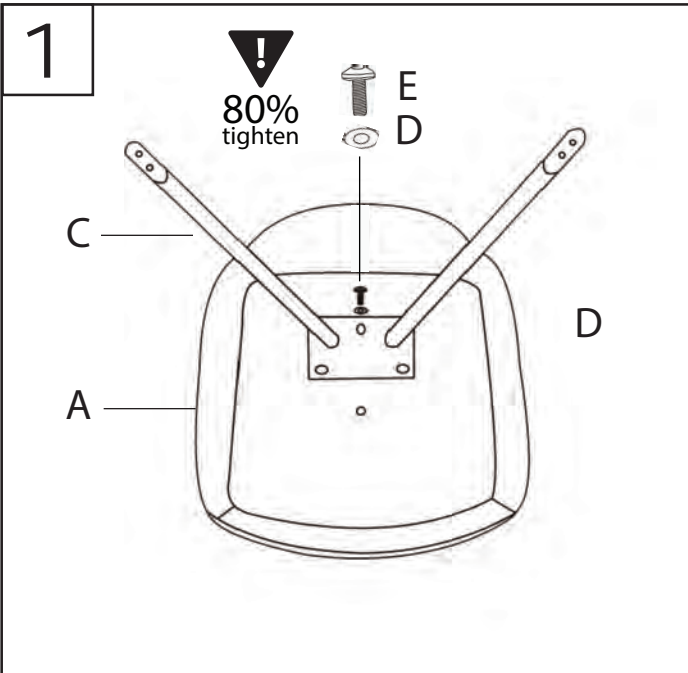
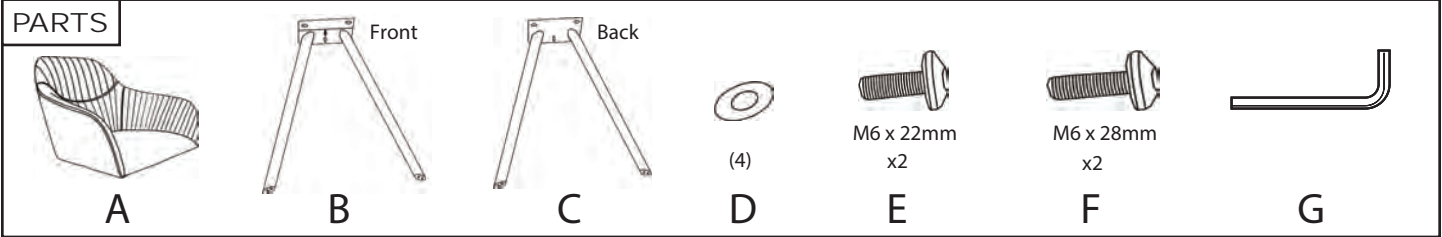


Part # CH-CLBP XX

18-0103



Do not over tighten.
 Do not use power tools to assemble.